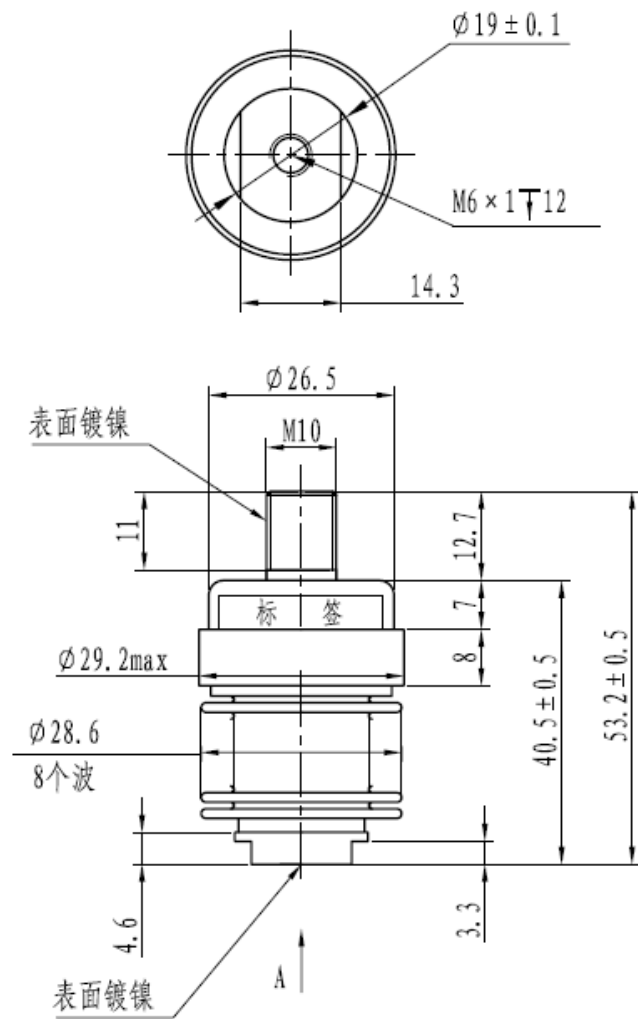


TJ-0.66/211

型接触器用真空灭弧室

Vacuum Interrupter For Contactor



TJ-0.66/211 真空开关管技术参数

序号 No.	主要技术参数 Main Technical Specification	型号 Type	
		TJ-0.66/211	
电气参数 ELECTRIC RATINGS			
1	额定电压 Rated Voltage	kV	0.66
2	额定电流 Rated Current	A	211
3	额定频率 Rated Frequency	Hz	50/60
4	额定短时（1分钟）工频耐受电压 Rated Short-time(1min) Power-Frequency Withstand Voltage	kV	4.5
5	触头自闭力下的回路电阻 Circuit Resistance At Contact Force From Atmosphere	$\mu \Omega$	≤ 120
6	雷电冲击耐受电压 Lightning Impulse Withstand Voltage	kV	/
7	额定关合能力 Rated Making Capacity	kA/50Times	2.11
8	额定开断能力 Rated Breaking Capacity	kA/50Times	1.75
9	极限开断能力 Limited Breaking Capacity	kA/3Times	3
10	额定短时耐受电流，10秒 Rated Short-time Withstand Current, 10s	kA	1.7
11	额定峰值耐受电流 Rated Peak Withstand Current	kA	4.25
寿命 LIFE			
1	机械寿命 Mechanical Life	Times	1,000,000
2	电寿命 Electrical Life	Times	60,000
3	储存时间 Storage Life	years	≥ 20
4	触头允许磨损厚度 Contacts Erosion Limit	mm	1
机械数据 MECHANICAL DATA			
1	触头自闭力 Contact Force From Atmosphere	N	43 \pm 5
2	触头反力 Counterforce of Contacts at Full Stroke	N	58 \pm 5
配套的真空开关设备应满足的机械参数 MECHANICAL DATA OF VACUUM SWITH EQUIPPED WITH THE INTERRUPTERS			
1	触头开距 Contact Stroke	mm	1
2	超行程 Overtrave	mm	1
3	平均分闸速度 Average Opening Speed	m/ s	0.3~0.5
4	平均合闸速度 Average closing speed	m/ s	0.05~0.15
5	触头合闸弹跳时间 Contact Bouncing Duration at Cosing Operation	ms	≤ 3
6	额定触头压力 Rated Added External Contactfinal Force	N	20